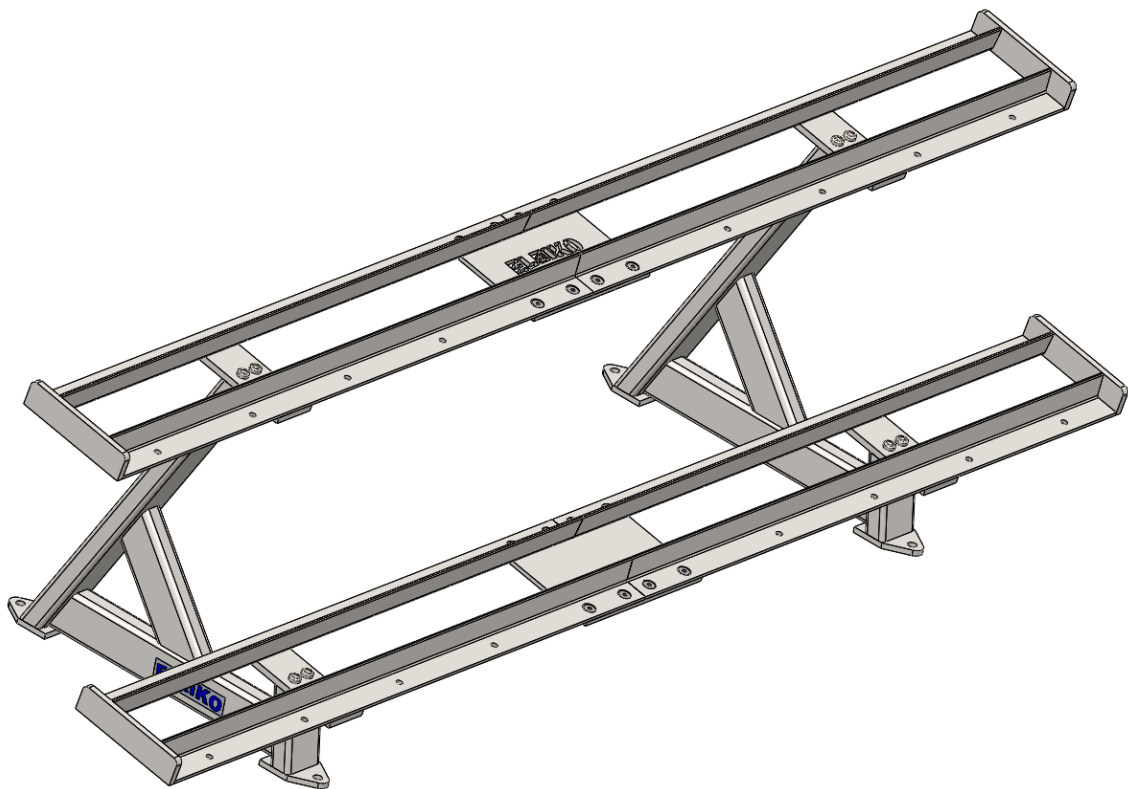


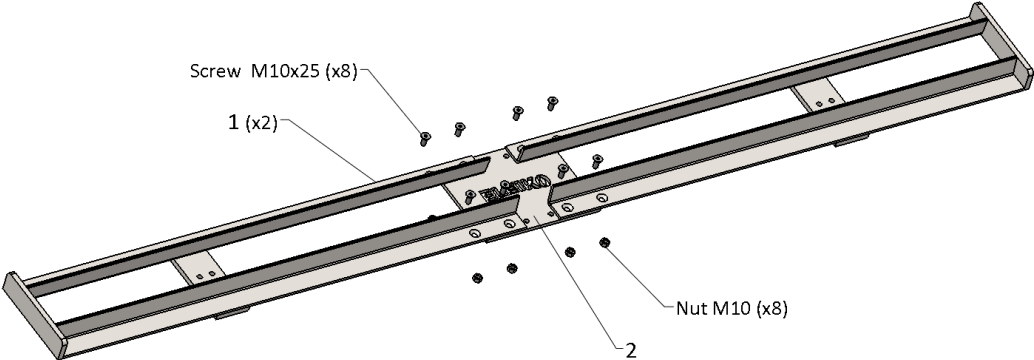
Eleiko Two Tier XF Dumbbell Rack

3002382

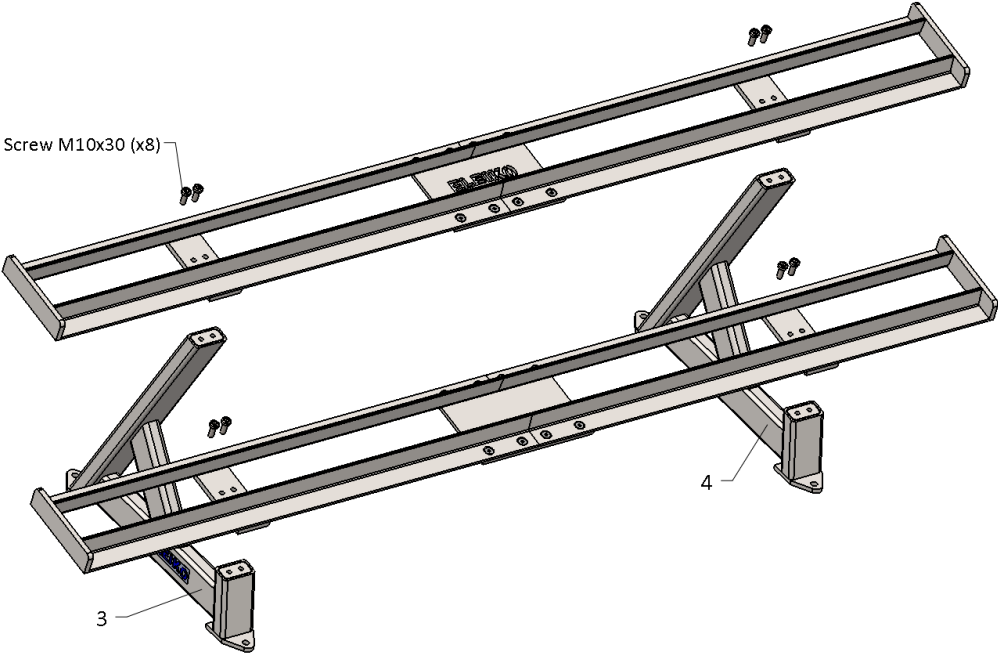
ASSEMBLY INSTRUCTIONS



- 1. Assemble two parts (1) with part (2). Use eight countersunk screws M10x25 and nuts M10. Do two sets, one part (2) with Eleiko logo and one part (2) without Eleiko logo.



- 2. Assemble the part above with legs (3) and (4). Make sure the Eleiko lable is facing outwards and the shelf with Eleiko logo is atop. Use eight screws M10x30.



Parts of Content

No

- | | |
|---|---|
| 1 | 4 x Table part |
| 2 | 2 x Sheet metal 215x280 mm (with and without Eleiko logo) |
| 3 | 1 x Left leg |
| 4 | 1 x Right leg |

16 x Screw M10x25 countersunk

8 x Screw M10x30

16 x Nut M10